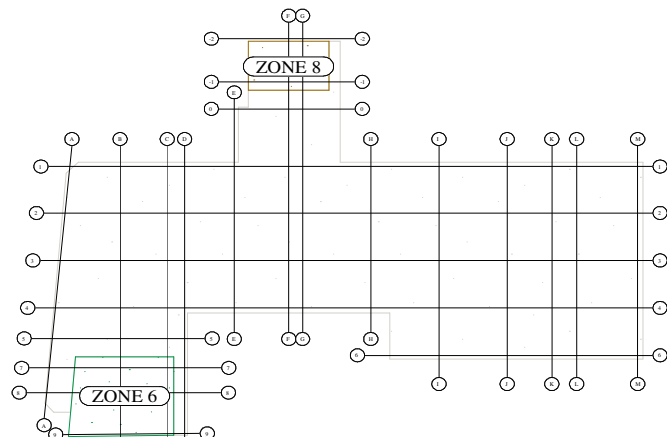
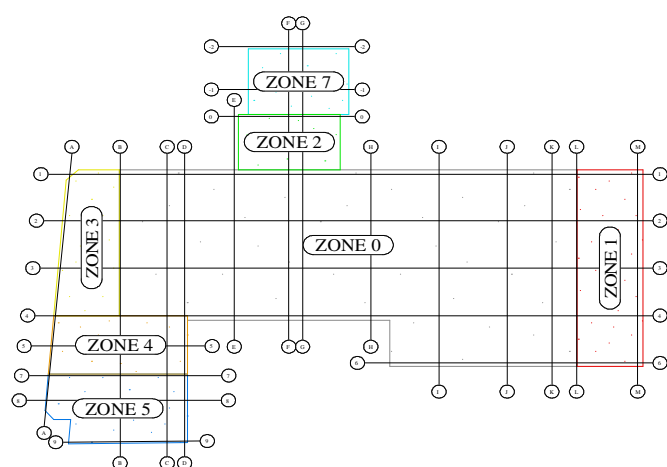


## Récap matériaux MEHA - Les Boutours 2 - Rosny-sous-Bois

	Sapin (m3)	Douglas (m3)	B.L.C (m3)	Mélèze (m3)	Métisse (m3)	Paille (m3)
Zone 0	75,44	19,54	3,8	/	416,88	0
Zone 1	15,642	0,62	21,218	/	82,46	0
Zone 2	6,27	0,86	10,27	/	45,36	17,83
Zone 3	6,55	0	13,55	/	47,16	0
Zone 4	27,06	3,57	38,39	/	158,88	70,8
Zone 5				/		
Zone 6				/		
Zone 7	3,57	0,27	3,62	/	5,65	21,37
Zone 8	7,41	0,45	16,53	/	23,76	37,32
Bardage	/	18,796	/	/	/	/
Tavaillon	/	/	/	48,98	/	/
<b>Total</b>	<b>141,942</b>	<b>44,106</b>	<b>107,378</b>	<b>48,98</b>	<b>780,15</b>	<b>147,32</b>
	<b>342m3</b>			<b>927m3</b>		
	<b>Bois</b>			<b>Isolant</b>		



Légende	
<span style="border: 1px solid black; display: inline-block; width: 20px; height: 10px;"></span>	Zone 0 - Halle
<span style="border: 1px solid red; display: inline-block; width: 20px; height: 10px;"></span>	Zone 1 - Classes 6 & 7
<span style="border: 1px solid green; display: inline-block; width: 20px; height: 10px;"></span>	Zone 2 - Classes 1 & 2
<span style="border: 1px solid yellow; display: inline-block; width: 20px; height: 10px;"></span>	Zone 3 - Paille porteuse salles de repos
<span style="border: 1px solid orange; display: inline-block; width: 20px; height: 10px;"></span>	Zone 4 - Réfectoire
<span style="border: 1px solid blue; display: inline-block; width: 20px; height: 10px;"></span>	Zone 5 - Office de réchauffage (tout le RDC)
<span style="border: 1px solid lightgreen; display: inline-block; width: 20px; height: 10px;"></span>	Zone 6 - Logement du gardien (tout étage)
<span style="border: 1px solid cyan; display: inline-block; width: 20px; height: 10px;"></span>	Zone 7 - Plancher Classe 12 BTR1
<span style="border: 1px solid brown; display: inline-block; width: 20px; height: 10px;"></span>	Zone 8 - Toiture Classe 12 BTR1

